

Technical data sheet

Product features



Cooking range induction drop-in electric 2x drop-in plate 400 V

| | | |
|--------------|----------------------------------|----------|
| Model | SAP Code | 00007448 |
| PCID-64ET | A group of articles - web | Stoves |



- Device type: Electric unit
- Power consumption of the zone 1 [kW]: 5
- Power consumption of the zone 2 [kW]: 5
- Protection of controls: IPX5
- Material: AISI 304 top plate and cladding

| | | | |
|----------------------------|----------|---|--------------------|
| SAP Code | 00007448 | Loading | 400 V / 3N - 50 Hz |
| Net Width [mm] | 400 | Number of zones | 2 |
| Net Depth [mm] | 600 | Power consumption of the zone 1 [kW] | 5 |
| Net Height [mm] | 422 | Power consumption of the zone 2 [kW] | 5 |
| Net Weight [kg] | 20.00 | Ceramic glass dimensions [mm] | 350 x 570 |
| Power electric [kW] | 10.000 | | |

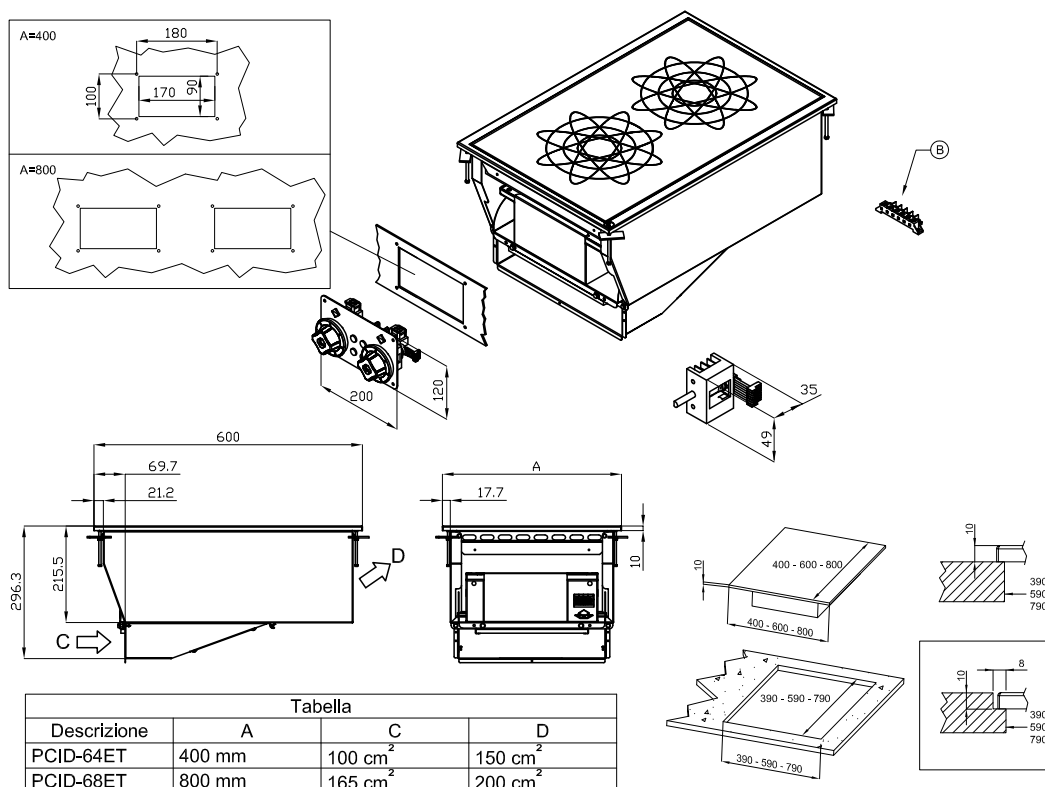
Technical data sheet

Technical drawing



Cooking range induction drop-in electric 2x drop-in plate 400 V

| | | |
|--------------|----------------------------------|----------|
| Model | SAP Code | 00007448 |
| PCID-64ET | A group of articles - web | Stoves |



| Tabella | | | |
|-------------|--------|---------------------|---------------------|
| Descrizione | A | C | D |
| PCID-64ET | 400 mm | 100 cm ² | 150 cm ² |
| PCID-68ET | 800 mm | 165 cm ² | 200 cm ² |

| | | | | | |
|---|------------|--|---|-----------------------|--|
| A | Data plate | | B | Electrical connection | |
|---|------------|--|---|-----------------------|--|

Technical data sheet

Product benefits



Cooking range induction drop-in electric 2x drop-in plate 400 V

| | | |
|--------------|----------------------------------|----------|
| Model | SAP Code | 00007448 |
| PCID-64ET | A group of articles - web | Stoves |

1

Induction surface

fastest heating of the cooking zone
precise heating only at the place where the container is placed

- time-saving for food preparation
- no reheating and long cooking times

2

Degree of protection of the control elements IPX5

maintenance-free system
resistance to splash water
long life

- savings on service interventions
- easy cleaning and maintenance of equipment

3

All-stainless design

the material does not cut
wear resistance of the material
long life

- savings on service interventions
- easy cleaning and maintenance of equipment

4

Hygienic moldings of the top plate

absence of sharp corners and edges (potential places where dirt could stick)
smooth transitions

- easy quick cleaning

5

Variability

the possibility of attaching to a fixed plate as part of a monoblock
the possibility of creating one module
long life

- cost saving
- space saving
- long service life

Technical data sheet

Technical parameters



Cooking range induction drop-in electric 2x drop-in plate 400 V

| | | |
|--------------|----------------------------------|----------|
| Model | SAP Code | 00007448 |
| PCID-64ET | A group of articles - web | Stoves |

1. SAP Code:

00007448

2. Net Width [mm]:

400

3. Net Depth [mm]:

600

4. Net Height [mm]:

422

5. Net Weight [kg]:

20.00

6. Gross Width [mm]:

470

7. Gross depth [mm]:

700

8. Gross Height [mm]:

530

9. Gross Weight [kg]:

25.00

10. Device type:

Electric unit

11. Construction type of device:

Drop-in

12. Power electric [kW]:

10.000

13. Loading:

400 V / 3N - 50 Hz

14. Protection of controls:

IPX5

15. Material:

AISI 304 top plate and cladding

16. Worktop type:

Molded - comfortable cleaning maintenance

17. Worktop Thickness [mm]:

2.00

18. Number of zones:

2

19. Power consumption of the zone 1 [kW]:

5

20. Power consumption of the zone 2 [kW]:

5

21. Power control type:

knob control

22. Number of power control stages:

6

23. Service accessibility:

From the front by removing the front panel and waste fluid containers

24. Number of burners/hot plates:

2

25. Type of electric cooking zones:

Induction

26. Ceramic glass dimensions [mm]:

350 x 570

27. Cross-section of conductors CU [mm²]:

2,5

28. Glass-ceramic top thickness [mm]:

6

Technical data sheet

Technical parameters



Cooking range induction drop-in electric 2x drop-in plate 400 V

| | | |
|--------------|----------------------------------|----------|
| Model | SAP Code | 00007448 |
| PCID-64ET | A group of articles - web | Stoves |

29. Load capacity [kg]:

60